



# Total Meter Services Inc.

## Volumetric Propane Dispensing System

TMS is pleased to announce the launch of its newest product: the TMS VPD (Volumetric Propane Dispenser). This unit combines true volumetric dispensing with tank level information to manage inventory and wireless transmission of transaction data to back office systems.

Created to show the true amount of propane dispensed for small cylinders (5-100 lbs), the TMS VPD combines mass and volume measuring technologies to ensure safe and accurate dispensing. This new product will allow retailers to offer their customers real savings and will help manage dispensing and inventory operations.

Utilizing its depth of knowledge of product integration in the petroleum industry, TMS has created a system which is truly greater than the sum of its parts.

The TMS VPD combines the latest technology in electronic scales, meter registers, tank level systems, security features with its ground breaking custody transfer software knowledge. This union of advanced core technologies allows TMS to present an offering unmatched in the industry for both accuracy and features.

### Features

- Customizable Print Ticket with Barcodes
- Overfill Cut-Off Protection at 80%
- Out of Date Cylinder Feature (DOT)
- Integrated Client Card Authorization
- Dispenser Operator Security
- Track Each Delivery from Suppliers
- Real Time Storage Tank Inventory
- Automated Pump and Valve Control
- Inactivity Timeout
- Daily Activity Reporting
- UPS Battery Back Up
- Intrinsically Safe



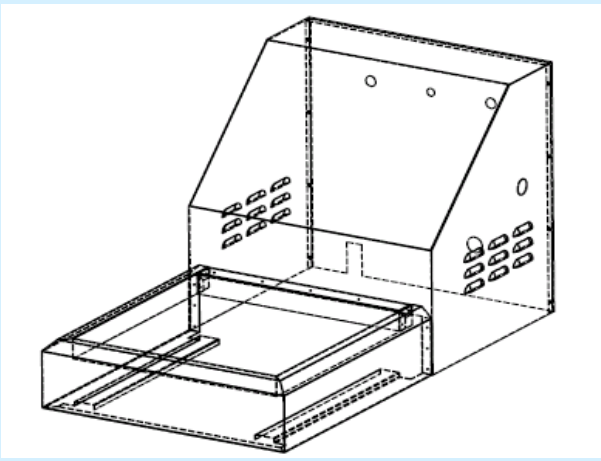
- Displays Product Dispensed in Metric or US
- Screen Displays in English, French, Spanish
- Industry Standard Filling Connections
- Integrated Thermal Roll Printer
- Integrated Numeric Keypad
- Color Display
- Hose Hanger With 6' Filling Hose
- Rugged Frame Suited For All Environments
- Variable Piping (Side or Rear Piped)
- Attractive Presentation
- One Year Warranty

### Options

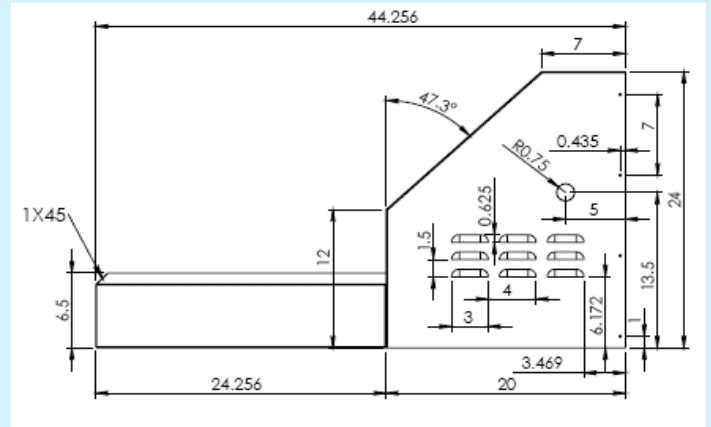
- Dual to Quad Scale Positions Available
- Wireless Data Transfer to Register Location
- **TMSDataLink +Plus™** Web Enabled Software for Remote Access
- Enterprise Option
- 2 Year Extended Warranty

CELEBRATING 25 YEARS OF INNOVATION

FULL TURN-KEY SOLUTIONS



**3D Perspective of Scale Base**



**Cross Section Dimensions (24.25" W not shown)**

## Key Considerations

Meets Canadian Weights and Measures Standards  
 Meets US NIST Standards  
 Meets CSA Propane Installation Code B149.2-M91  
 Prevents Filling Out Of Date Cylinders (DOT)  
 Prevents Over-Filling of Cylinder (80% Cut-Off)

## Specs at a Glance

Meter: Accuracy - +/- 0.5%  
 Repeatability: +/- 0.2%  
 (for single and dual position)

Flow Rates: 7 to 70 Lpm

Cylinders: 1-100 lbs.

Op. Press.: Max 350 PSIG

Register: Electronic with ATC

Scale: 200# Electronic Bench

Dimensions: Scale - 24.25"WX44.25"LX 24"H  
 Pedestal – 63"H

Patent Pending

## Key Benefits

- Fair Measure - Pay for actual volume dispensed
- Easy to Use - Authenticate, Tare and Start
- Low Cost Maintenance - All components readily available across North America
- Safety Features
- Emergency Stop
- Operator Authentication
- Overfill Cut Off
- Tank Expiry Feature

## Shrinkage Reduction

- Office & Dispenser Software
- Operator Authentication
- TLS Inventory Control and Reconciliation
- Integration to Back Office Systems (if Office Software option selected)

## Compliance

- W&M / NIST
- MOT / DOT
- NTEP

## Remote Access

- Dispenser sends transaction data wirelessly to inside register location or office.
- Remote access through web enabled office software kit
- Hi Level Alarm wired to office location

## High ROI

- Increase Customer Base
- Reduce Shrinkage & Pilfering
- Reduce Clerical Cost of Re-Keying Transactions
- Reduce Data Input Errors
- Reduce Employee Accidents
- Reduce Environmental Incidents
- Reduce Enforcement Actions
- Reduce Insurance
- Reduce Out of Product Situations
- Reduce Maintenance Costs
- Expected ROI of 100% in 12-18 months with software option